



Halogen Lighting Assembly Instructions

General Safety Instructions:

1. Keep these instructions somewhere safe.
2. Installation should only be carried out by a competent person.
3. Before any work is carried out ensure that the household supply is completely disconnected.
4. Always ensure that the correct type of bulb is used and that the maximum bulb rating (wattage) is not exceeded.
5. It is essential to observe the minimum distance between the reflector and any other objects. (See illustrations below)
6. During and after operation do not touch the light fitting as it will become very warm.
7. For installation of fan light to fan, please refer page 2

G9 Halogen Lighting information:

Supply voltage : 240V AC

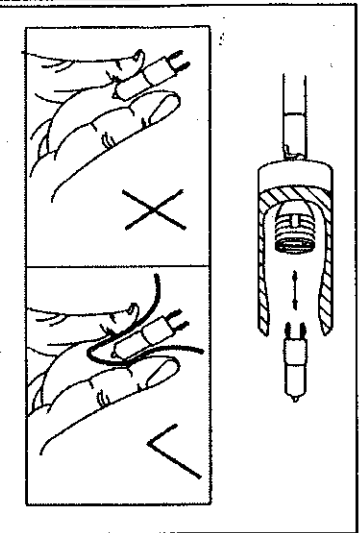
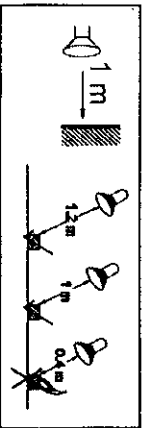
Bulb Type : Mains Halogen 50mm Diameter, G9 Maximum 60 Watts

Minimum distance to fixed objects : 1.0m

Warranty

This product is covered by a 1 year limited warranty. This does not effect your statutory rights.

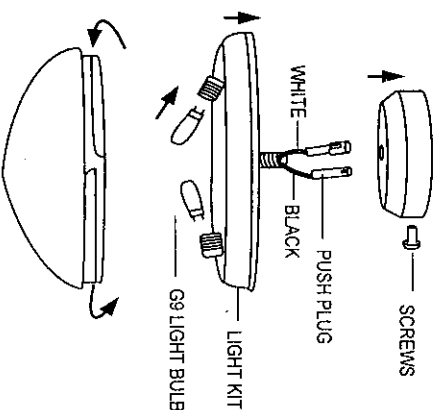
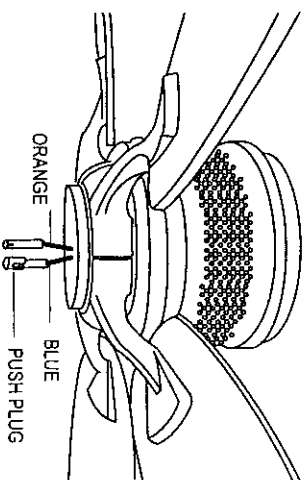
Bulb Fitting:



Ceiling Fan Light Kit Installation :

All electrical work should only be undertaken after disconnection of the power by removing fuses or turning off the circuit breaker to ensure all-poles isolation of the power. Turning off at the fan is not sufficient.

1. Unscrew the three screws of the switch housing , push out the central stud of the plate.
2. Screw the switch housing onto the light kit central nipple and secure with the spring washer and the nut provided.
3. Connect the supply wires of the fitter to the marked wires in the switch housing.
 Live to Live (Orange to Orange)
 Or (Orange to White)
 Neutral to Neutral (Blue to Blue)
 Or (Blue to Black)
 Your fan and light fitter has been supplied with push together connectors.
4. Carefully tuck the wires back into the switch housing and mount the light fitter onto the fan.
5. When replacing the plate with light fitter back onto the switch housing ensure the three serrated washers are used with the three screws in order to obtain good earth continuity.
6. Fit the bulbs G9 60W x 2 provided.
7. Install the glass onto light fitter align the key hole slot in place and turn anti-clockwise. Make sure the glass is installed tightly. Improper installation may cause the risk of glass falling.



SUITABLE FOR 230V, 50 CYCLE ELECTRICAL SUPPLY
 Enquires on installing your fan please call our help line on
01959-564440

FANTASIA DISTRIBUTION LTD.
 Unit B, The Flyers Way
 Westerham Kent. TN16 1DE